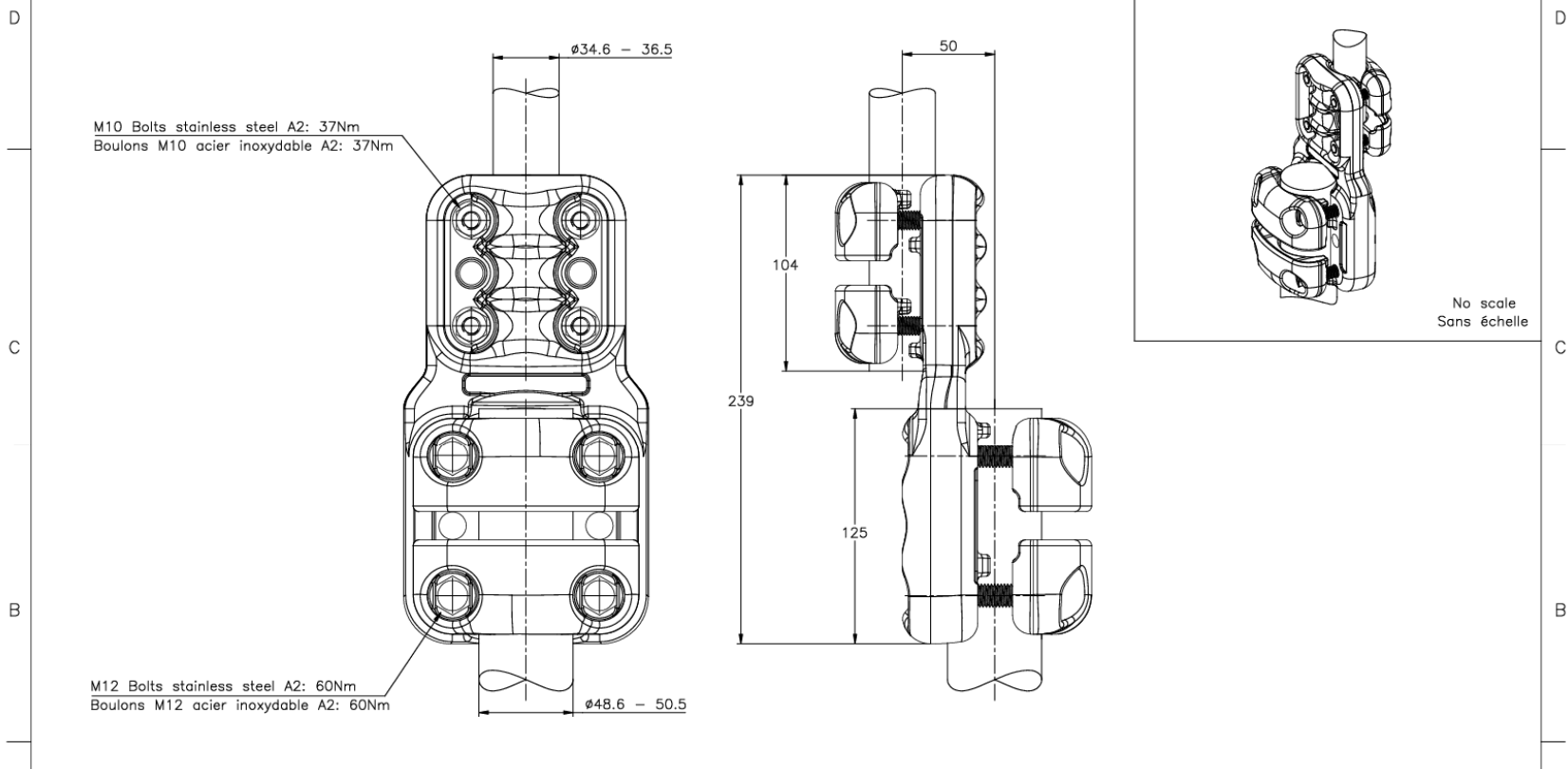


© COPYRIGHT - By -

REVISIONS				
P	LTR	DESCRIPTION	DATE	DWN APVD
B		DRAWING UPDATES	25APR2023	RS CG



THIS DRAWING IS A CONTROLLED DOCUMENT.		DN HUARD	27-Aug-18	<b>STE</b> TE Connectivity	
DIMENSIONS: mm		CHK	-		
TOLERANCES UNLESS OTHERWISE SPECIFIED:		APVD	-	NAME	
0 PLC ± -		PRODUCT SPEC		STRAIGHT CONNECTOR	
1 PLC ± -		108-69096-001		RACCORD DROIT	
2 PLC ± -		APPLICATION SPEC		5 CJ 82 L505 M365	
3 PLC ± -		SIZE	CAGE CODE	DRAWING NO	RESTRICTED TO
4 PLC ± -		APPROX. WEIGHT	3,4 kg	A3 00779	C=2339610
ANGLES ± -		CUSTOMER DRAWING		SCALE	1:2
FINISH		SHEET		1 of 1	REV B

ITEM:.....